

1 2 3 4 5 6 7 8

A

B

C

D

E

F

A

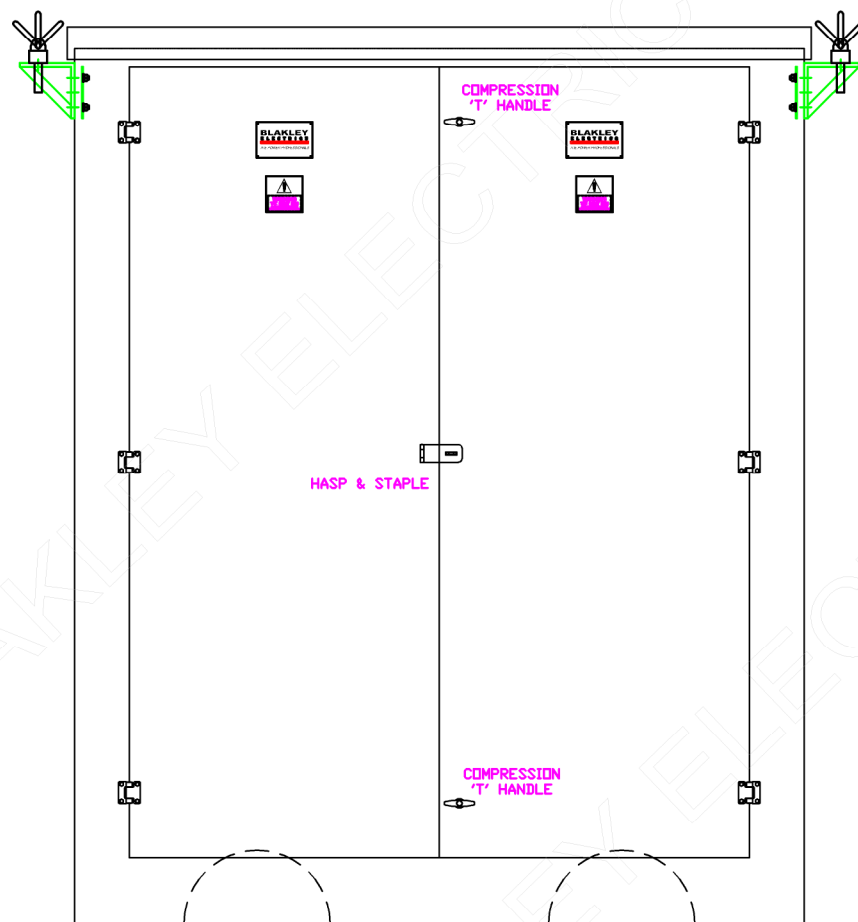
B

C

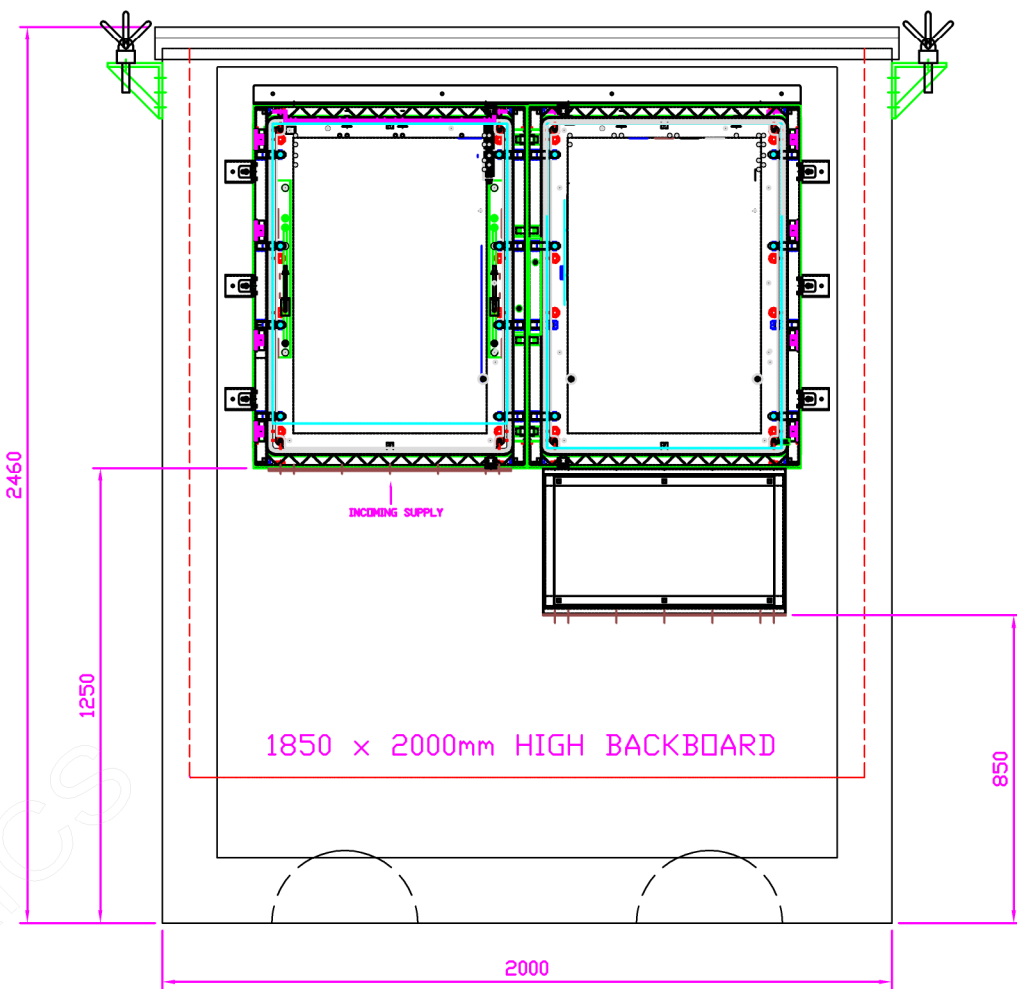
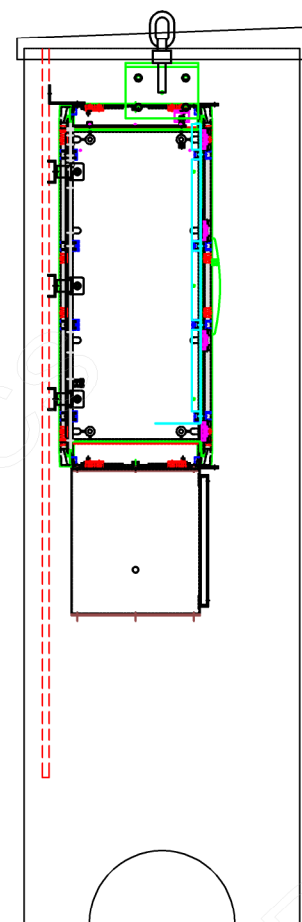
D

E

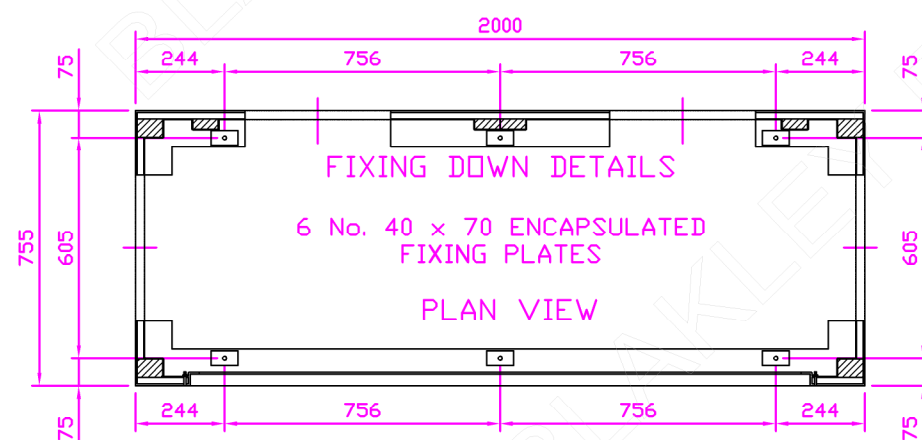
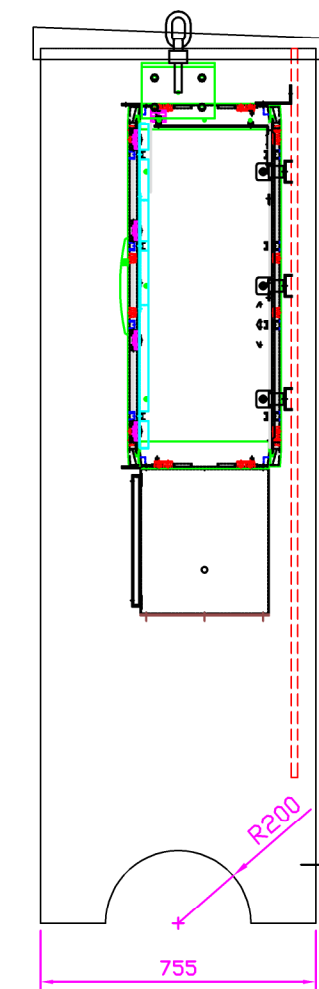
F



FRONT ELEVATION



FRONT ELEVATION (DOORS REMOVED)



PLAN VIEW

- NOTES
- S030986 CTC/ARC800 MOUNTED AS HIGH AS POSSIBLE WITHIN S050473 ISIA.
 - INCOMING CONNECTION STUDS ARE M16, OUTGOING CONNECTIONS ARE M12.
 - ASSEMBLY TO BE BOLTED DOWN IN POSITION FOR STABILITY.
 - OVERALL WEIGHT - 570kg.

CUSTOMER INFORMATION COPY

REV:	A	B																			
EDR:	6341	7626																			
UNLESS OTHERWISE STATED:- ALL DIMENSIONS IN MM. TOLERANCES TO H30052 FIXING STANDARD TO H30051 WIRING STANDARD TO H20051 WELDING STANDARD TO QAI 61.										MATERIAL		SIZE									
DO NOT SCALE THIS DRAWING. IF IN DOUBT, ASK										REF. S201129		COPY ISSUED									
TITLE GENERAL ASSEMBLY ISIA/1600 c/w CTC/ARC800										ORIGINAL SCALE 1:21		BLAKLEY ELECTRICS LIMITED									
										DATE. 18/02/19										DRAWING No. C23396	
										DRN. JML		SHEET 1 OF 1									
										CHKD.											
										APPD.											

THIS DRAWING IS THE PROPERTY AND COPYRIGHT OF BLAKLEY ELECTRICS AND MUST NOT WITHOUT THEIR WRITTEN CONSENT BE PASSED ON, COPIED, OR USED FOR ANY OTHER PURPOSE. THIS COPY IS UNCONTROLLED UNLESS OTHERWISE MARKED.

1 2 3 4 5 6 7 8

A3